

DESCRIPTION: The SiteI/O 32/0 is part of the SiteI/O-Line, which allows a complete SiteScan monitoring/control system to be built a piece at a time. It is a 32 bit microprocessor-based device designed to monitor up to thirty-two analog, digital, and/or dry contact type signals. Individual hardware jumpers set signal-type selections. Screw terminal blocks are provided to terminate power, communication, and input signal wiring.

DIMENSIONS: Module: 11 5/16" H x 11 5/16" W x 2 3/4" D
28.73 cm H x 28.73 cm W x 7 cm D

Enclosure: 20" H x 18" W x 2.87" D
(Painted Steel) 508mm x 457.2mm x 72.89mm

See Enclosure Diagrams for mounting options.

POWER: 24VAC \pm 10%, 50-60 Hz., 35 VA power consumption
(120/24VAC 40VA Transformer available)

INPUTS: Thirty-two universal inputs, configurable for 0-5VDC, 0-20mA, or thermistor.

ENVIRONMENTAL

OPERATING RANGE: 0° to 130° F (-17.8° to 54.4° C), 10 to 90% relative humidity, non-condensing

COMMUNICATION: (1) CMnet EIA-485 Port - Control Module network screw terminals
Switch selectable baud rates ARC156 / 9600 or 38.4bps
Recommended wire is: MAGNUM Cable pn A3-ARC-156-2

(32) Analog and/or Digital - screw terminals
Jumper Selectable inputs
Thermistor - 10k ohm @ 77° F, 25°C
0 to 5 VDC - 10k ohm max source impedance
4 to 20mA - 24VDC loop power, 250 ohm input
Dry Contact - 0.5mA sense current

MEMORY: 1 MB Flash Memory, 1 MB Non-volatile battery backed RAM.

PROTECTION: Voltage, current, and ESD protection on incoming power.

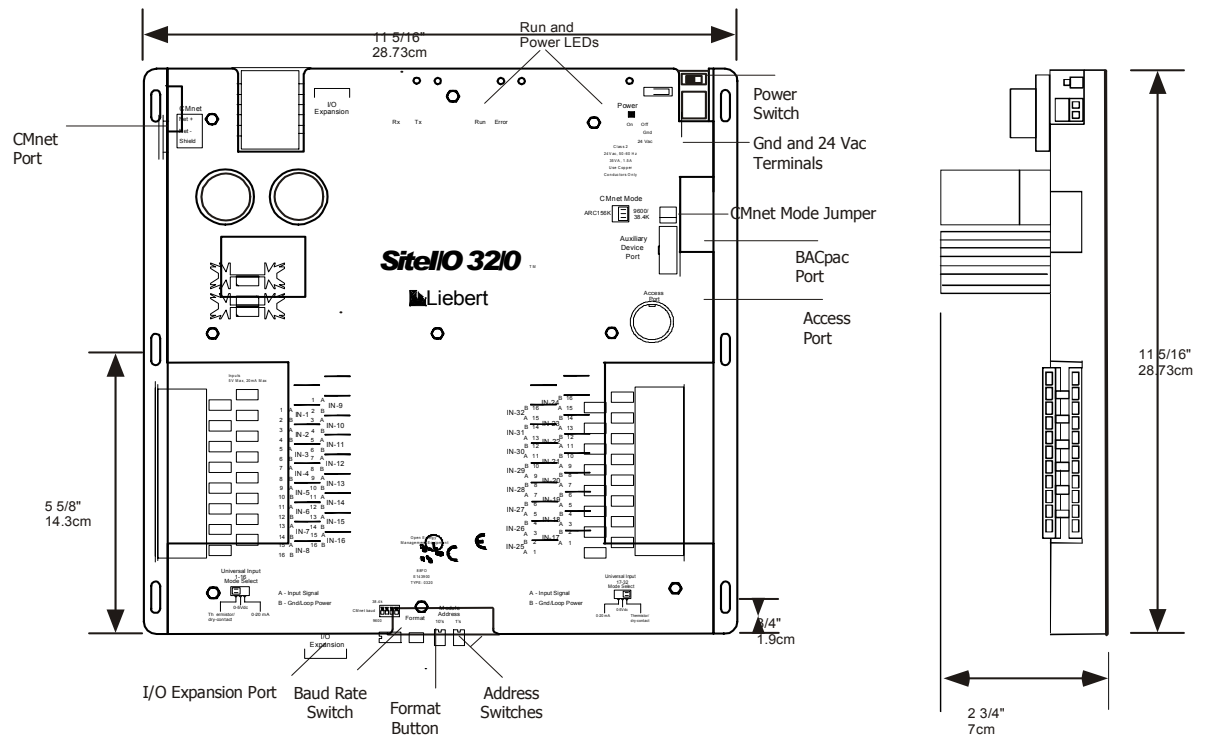
BATTERY: Seven-year lithium battery provides a minimum of 10,000 hours of data retention during power outages.

DIAGNOSTIC LED's:

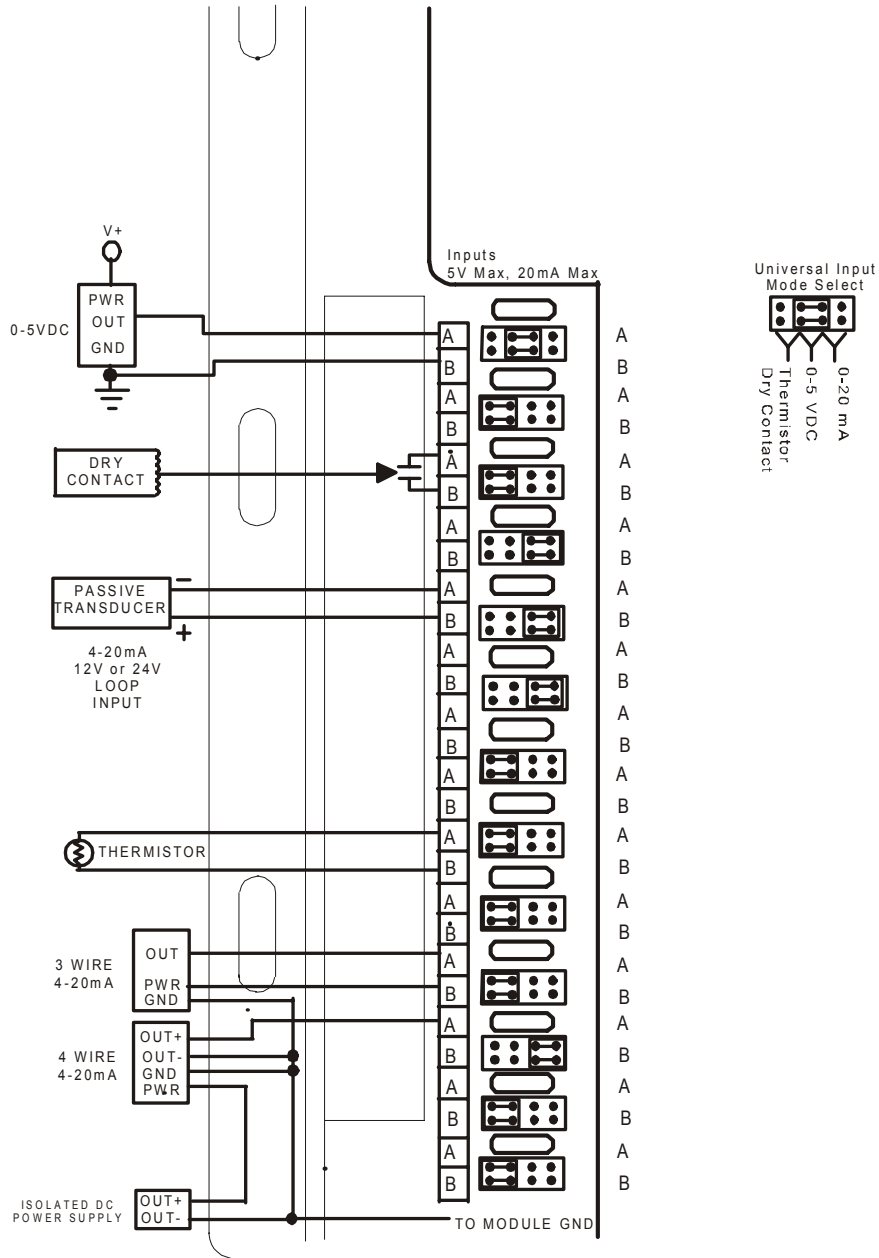
- Power:** Indicates power on condition
- Tx:** Indicates data transmitted on the CMnet
- Rx:** Indicates data received on the CMnet
- Error:** Indicates an error within the SiteI/O 10/0
- Run:** Indicates operating condition of the SiteI/O 10/0

LISTED BY: UL 916 (PAZX), cUL C22.2 No. 205-M19 (PAZX7), FCC Part 15 – Subpart B – Class A

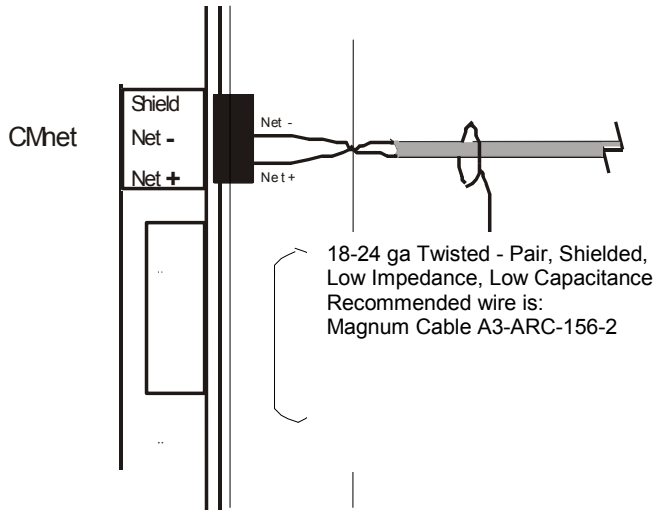
MODULE DIMENSIONS AND LAYOUT



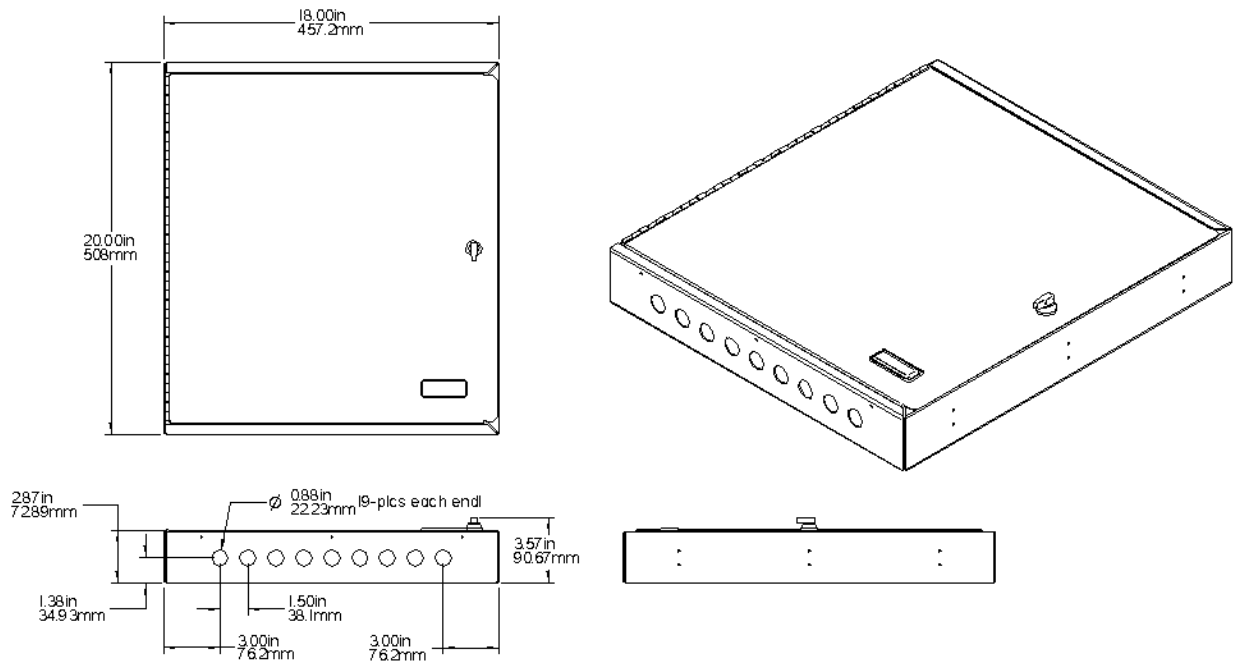
INPUT WIRING DIAGRAM



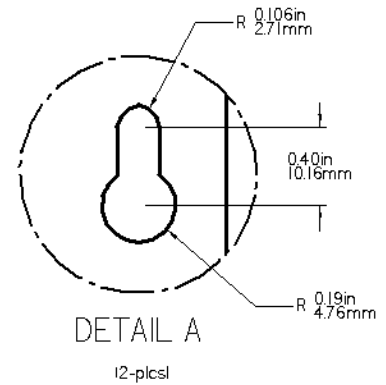
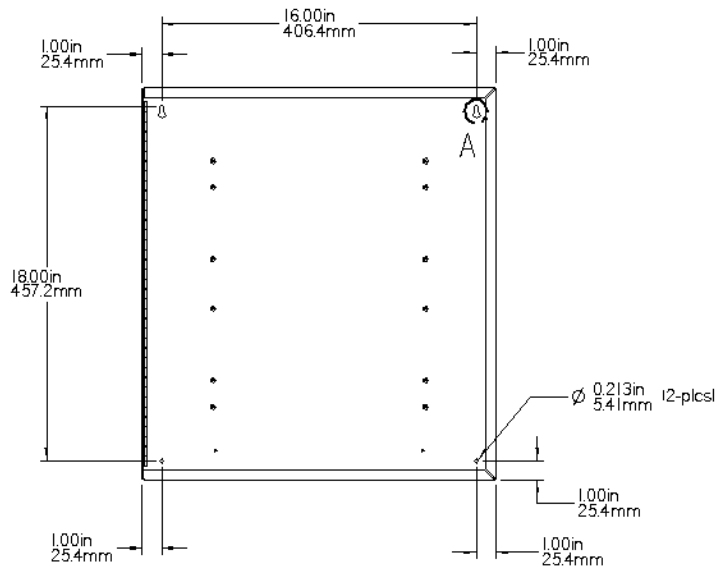
COMMUNICATIONS WIRING DIAGRAM



ENCLOSURE DIAGRAMS



Enclosure Wall Mounting



Enclosure Floor Mounting with Brackets

